



Submittal Data

A-VFH18DB-1

Project Name:	
Location:	
Engineer:	
Submitted to:	
Submitted by:	
Reference:	

Approval:	
Date:	
Construction:	
Unit #:	
Drawing #:	

Power supply 208-230V~60Hz , 1Ph

Cooling

Capacity Btu/h 18000
 Capacity kW 5.28
 Rated current A 6.26
 EER Btu/w 12.50
 SEER Btu/w 22.00

Heating

Capacity Btu/h 18800
 Input W 15200
 Rated current A 6.6
 COP W/W 3.663
 HSPF4 10.50
 heating at 47°F Btu/h 18800
 heating at 17°F Btu/h 15600

MAX.FUSE A 25

Compressor Electrical

Model QXA-B141zF030A
 Type Inverter Rotary
 Refrigerant Oil Type A RB68EP
 Capacity W 4320
 Input W 1440
 Rated current(RLA) A 12.42
 Thermal protector 1NT11L-6233
 Connection wiring 14/4 STRANDED

Thermostat type Remote control

Outdoor fan motor

Model LW60M-ZL
 Brand ///
 Output 60
 RLA A ///
 LRA A ///
 Speed RPM 630

Air flow & Noise level

Outdoor air flow CFM 1883
 Outdoor noise level dB(A) 56

Physical Data

Dimension(D*W*H) inch 37.6 x 15.59 x 27.56
 Packing (D*W*H) inch 40.39 x 17.91 x 28.94
 Net/Gross weight lbs. 115/125

Ambient temperature

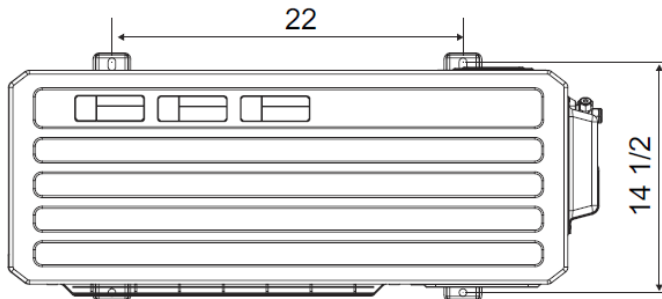
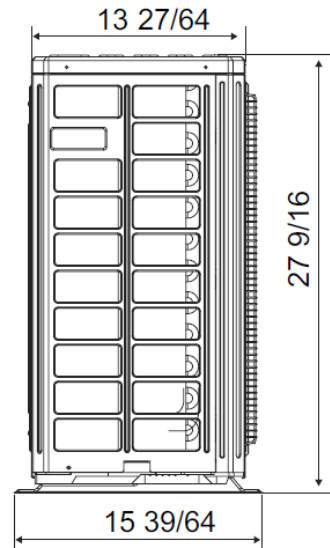
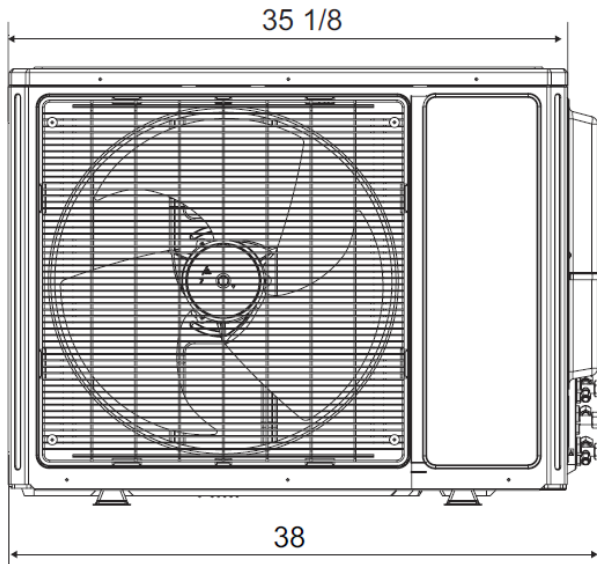
Outdoor(cooling/heating) Deg. F 0°-75°/-4°-75°F

SYSTEM DATA

of Zones 2
 Design pressure psi 620
 Refrigerant type R-410
 Refrigerant precharge oz 56.44
 Additional charge per ft. oz Subject to indoor unit
 Liquid side Adapters provided
 Gas side See IOM
 Max. length for all rooms ft 66
 Max. height difference between indoor and outdoor ft. 32
 Max. height difference between indoor units ft. 32

Submittal Data

A-VFH18DB-1



Unit:inch

Accessories

- 93640 Mini-Split Bracket 260lb. Limit
- 93641 Mini-Split Bracket 330lb. Limit
- 93642 Mini-Split Bracket 400lb. Limit
- 93540 Mini-Split Pad 18" x 38" x 3"